

A SERIES



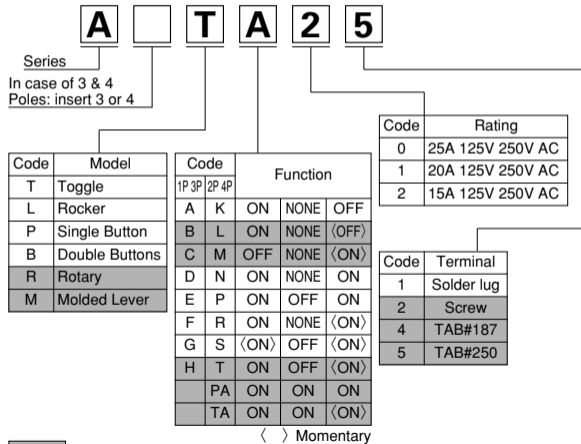
INDUSTRIAL GRADE POWER SWITCHES

UL, CSA LISTED
(except 3&4 poles)

FEATURES

- All of switch-housings cases of the standard switches are made of the approved UL standard 94V-O materials.
- Contact mechanism is designed to minimize producing noise and secure stable switching from small current to large.
- Molded-in terminals give a perfect seal against the ingress of flux at wave soldering.
- No electrical trouble will occur even if the case might be deformed during soldering process.
- The series A does comply to Japanese National Defence Standards, Japanese Industrial Standards and Electrical Apparatus Regulations and is designed to enhance its durability, humidity, corrosion, heat, cold, shock and vibration resistance.

HOW TO ORDER



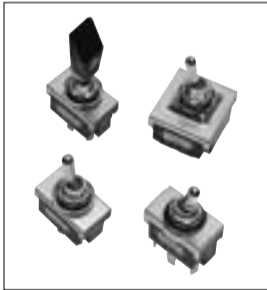
Made to order basis.



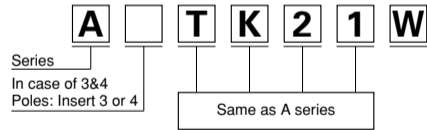
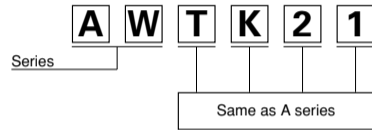
INDUSTRIAL GRADE WATERTIGHT TOGGLE SWITCHES (MADE TO ORDER BASIS)

FEATURES

- This unique design allows AWTK-- • A-TK--W to withstand water penetrating into spaces between Toggle Switches and mounting cut-out holes.
- Fixed Contact molded-inserting construction.
- Sleeve and Frame are perfectly sealed.



HOW TO ORDER



AV SERIES



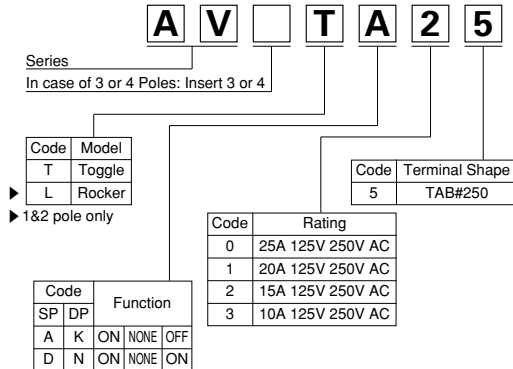
INDUSTRIAL GRADE TOGGLE & ROCKER SWITCHES

UL, CSA LISTED
(except 3&4 poles)

FEATURES

- The AV series was re-developed as V/A switch of A series.
- Electrical ratings from 10A to 25A are available and this series is designed to meet USER'S demand for various applications as well as series "A Models".

HOW TO ORDER



B SERIES

GENERAL SWITCHES

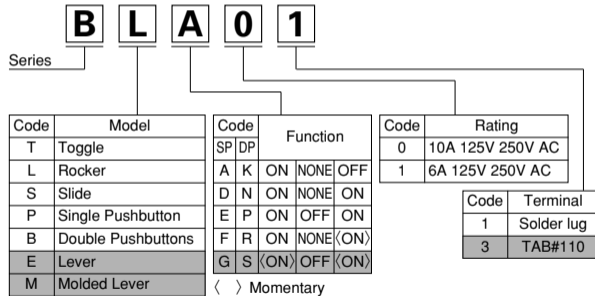
UL, CSA LISTED
(TOGGLE, ROCKER)

FEATURES

- All cases of standard switches are made of UL94V-O.
- Contact mechanism is designed to minimize occurring noise and secure stable closing and opening circuit.
- All models in this series fulfill the requirements of electric rating 10A, 250VAC, and are compact designed.
- Molded-in terminals give a perfect seal to ingress of soldering flux.
- Free from electric trouble as contact points and terminals are built into one piece.



HOW TO ORDER



 Made to order basis.



MINIATURE SWITCHES

UL, CSA LISTED
(TOGGLE 3A)



HOW TO ORDER

C T A 0 1


Series

Code	Model
T	Toggle
L	Rocker
S	Slide

Code		Function		
SP	DP			
A	K	ON	NONE	OFF
D	N	ON	NONE	ON
E	P	ON	OFF	ON
G	S	<ON>	OFF	<ON>

Code	Rating
0	6A 125V 250V AC
1	3A 125V 250V AC

Code	Terminal
1	Solder lug

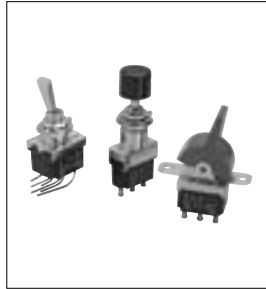
 Made to order basis.

< > Momentary

F SERIES

SUB-MINIATURE SWITCHES

UL, CSA LISTED



HOW TO ORDER

Series: **F** **T** **D** **O** **1** **G**

3 for 3P·4 for 4P

Contact Gold Plating (Marking does not appear on switch)

Code	Model	Code	Function	Code	Actuator	Code	Terminal
T	Toggle	SP 3P DP 4P		0	Standard Toggle	1	Solder lug
W	Watertight Toggle	D N	ON NONE ON	1	Large Toggle	2	Solder lug for thick leadwire
H	P/C Mount Toggle	E P	ON OFF ON	2	Short Toggle	3	P.C.B
P	Pushbutton	F R	ON NONE ON	3	Long Toggle	4	Wire-wrap
M	Watertight Pushbutton	G S	ON OFF ON	4	Flat Toggle	5V 66V 89V	Vertical
E	Small P/C Mount Lever & Rocker · Small Lever & Rocker	H T	ON OFF ON	5	Locking Lever	5H 65H 88H	Horizontal
L	Snap-in Lever & Rocker	PA	ON ON ON		Model FE · FL		
		SA	ON ON ON	1.3	Small Lever		
		TA	ON ON ON	2.4	Small Rocker		9

< > Momentary

① ACTUATORS

Wide choice of levers i.e., standard, large, short long, flatted and locking levers available to meet varying requirements in panel design and applications.

② LEVER-STOP DEVICE

Toggle lever-stopper is built in to prevent "push-in" when a downward force is applied to the lever.

③ INDIVIDUAL SPRING

Individual spring for each pole is employed to provide stable and reliable contacts.

④ NEW FRAME DESIGN

New frame design assures high insulation and stability.

⑤ GLASS-FILLED POLYESTER CASE (UL94V-O)

The case is manufactured from UL94V-O which has excellent heat and arc resistant properties and high insulation resistance. Creepage barriers are featured in all Multipole Switches providing increased creepage between contacts.

⑥ MOVING CONTACT SUPPORT

Unlike many other switches that rely on the molding to provide support for the moving contact, series F does utilize a unique system to fulfill this important function, greatly increasing the mechanical life of the switch.

⑦ TERMINAL PITCH

Spacing between terminals in 0.2" (5.08mm) conforming to ISO standard P/C board hole matrix.

⑧ GOLD-FLASHED TERMINALS

Available in 6 different configurations such as half-hollow cylindrical, P/C, right angle and wire-wrapping terminals. All gold-flashed to prevent perfectly oxidation and for ease of soldering.

⑨ MOLDED-IN TERMINAL CONSTRUCTION

Molded-in terminals prevent the ingress of solder flux and contaminants.

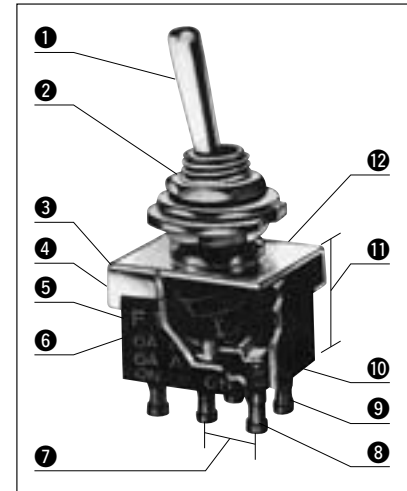
⑩ FINE SILVER CONTACTS

Ensure long life and contact reliability (For option of gold contact, please contact us.)

⑪ COMMON MOUNTING HEIGHT FROM SP TO 4P

The height of SP to 4P switches is identical enabling various switches to be mounted on the same P/C board.

⑫ STAINLESS STEEL FRAME



■ NOTE:

- Special designs are always considered. (O.E.M.)
- Contact Rating 0.4VA 28V DC max. is also available with contact and terminal options in GOLD.

MINIATURE SWITCHES

UL, CSA LISTED

G
SERIES

GE
SERIES

FEATURES

- Panel design, 6 kinds of actuators are available.
- Both silver and gold-plated contact are available. The gold-plated contact is for low current application.
- Terminals are sealed with epoxy, which prevent solder or flux from flowing into the switch.
- Terminal shape: Solder terminal, P/C terminal, Horizontal terminal, Vertical terminal and W/W terminal.
- 94V-O grade materials are used.

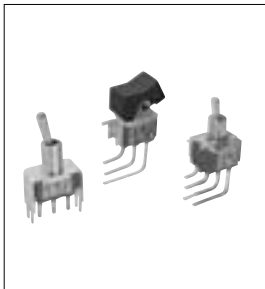
AC125V 5A, AC250V 2A(resistive load)
DC30V 2A(resistive load)
Low current: DC20V max 0.4VA

LEVER/ROCKER SWITCHES

G **1** **01** **J1** **Z** **B** 

※Color of Actuator

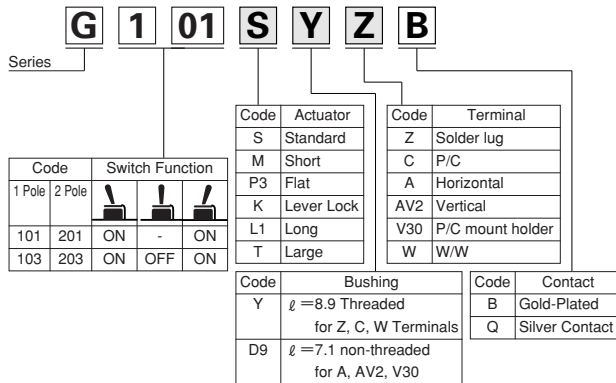
Shape	Code	Actuator
Lever	J2	Small
	J5	Large
	J60	Snap-in
Rocker	J1	Small
	J3	Large
	J50	Snap-in



The information on the "G" Series discontinuance as of October '05 was announced before, but we have decided to continue to produce the G101, G103, G201, G203, because of users' strong request.

HOW TO ORDER

IN CASE OF TOGGLE SWITCHES



WASHABLE TYPE

GE **1** **01** **S** **D1** **Z** **Q** 

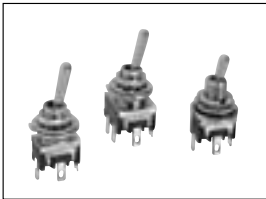
※Color of Actuator

S & M types only(Toggle without Threaded Bushing)

Shape	Code	Actuator
Toggle	S	Standard Toggle without Threaded Bushing
	M	Short Toggle without Threaded Bushing
Lever	J2	Small Lever
Rocker	J1	Small Rocker

 Not indicated in switch body.

M SERIES



SUBMINIATURE STANDARD TOGGLE SWITCHES

CSA LISTED

FEATURES

The M series switches have been newly designed to meet a growing demand for more miniature switches than 'F' series, for ideal use in spacelimited areas. This low-profile series features molded-in' terminals and low cost prices lesser than the F series. Single and double pole versions in both ON • NONE • ON and ON • OFF • ON functions are available with a choice of terminals of soldering or P.C.B. mountig.

HOW TO ORDER

